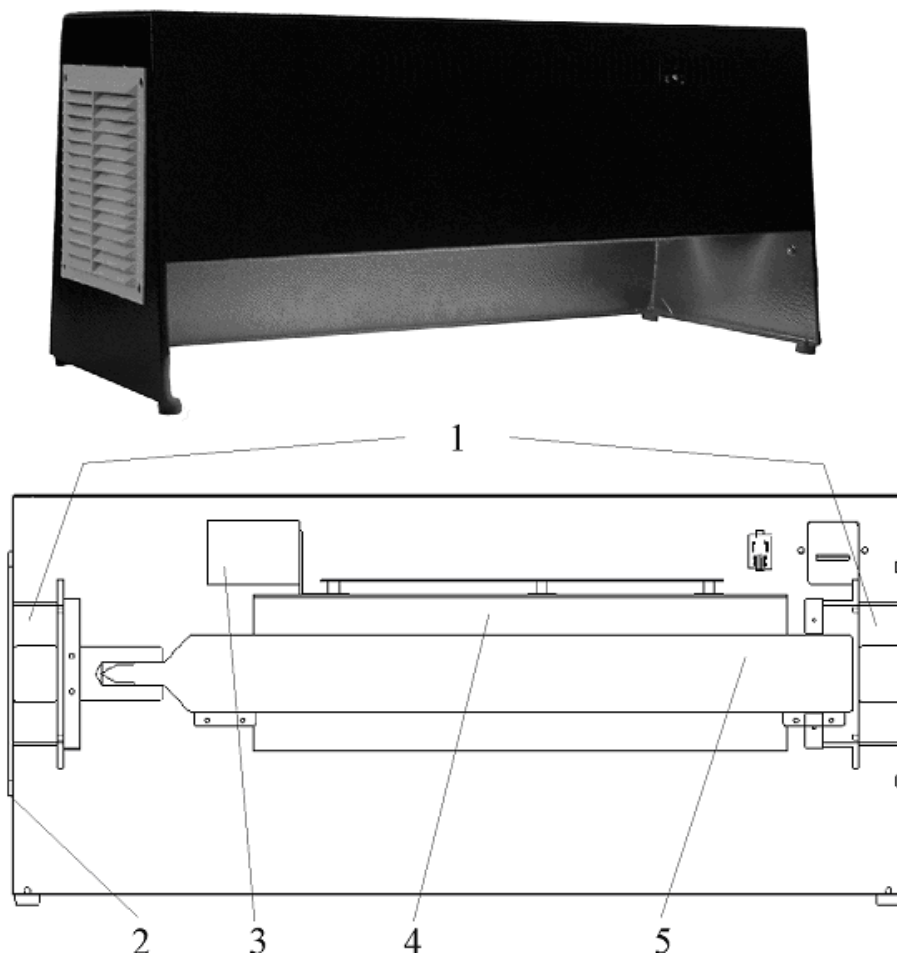

CD_L line (capacitive discharge, large) – large coaxial excilamps in common box with air-cooling system and reflector.



Design of the barrier discharge excilamp CD_L: 1 – fans for cooling; 2 – box; 3 – power supply; 4 – reflector; 5 – bulb.

Operating molecule	XeCl*
λ (max), nm	308
Box sizes, mm	190 × 240 × 500
Consumption power, W	≤ 85
Radiant power, W	≤ 5
Radiant exitance, mW/cm²	≤ 12