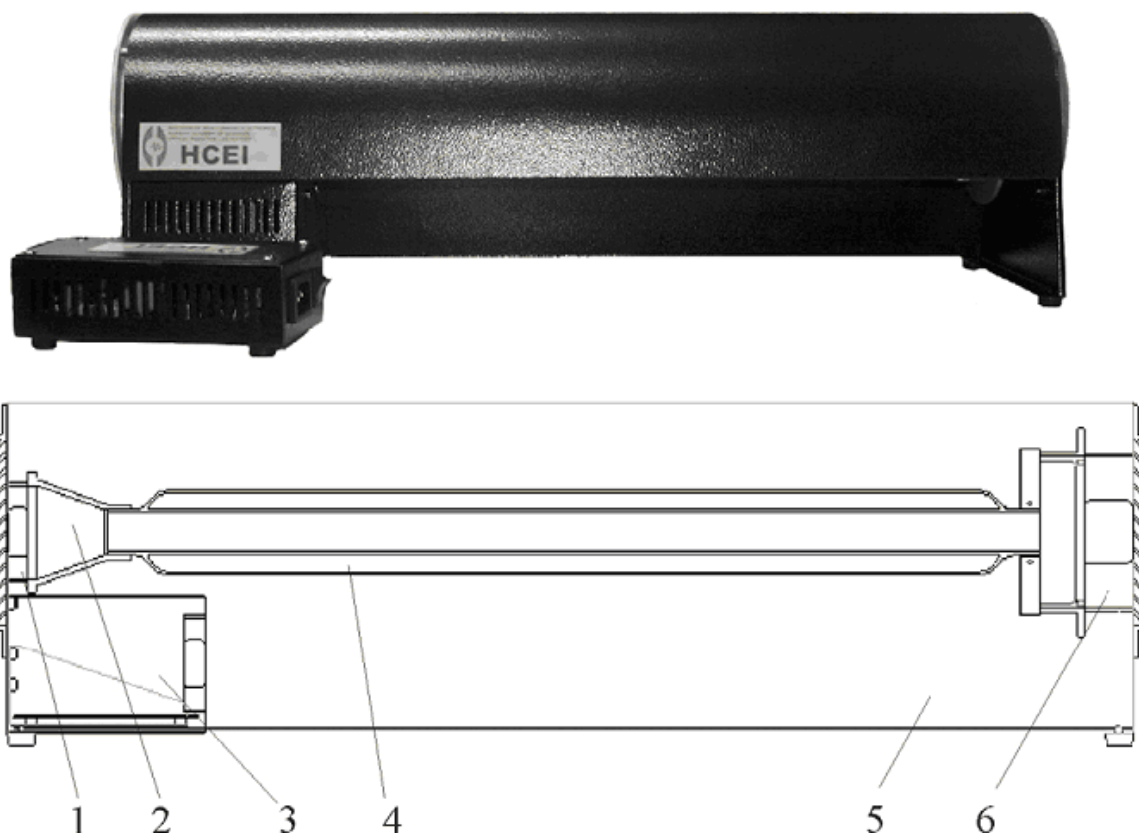

BD_L line (barrier discharge, large) – large coaxial excilamps in common box with air-cooling system and reflector.



Design of the barrier discharge excilamp BD_L: 1 – fan for inner cooling; 2 – air inlet; 3 – power supply; 4 – bulb; 5 – box; 6 – fan for outer cooling.

Operating gas	XeCl*	XeBr*
λ (max), nm	308	283
Box sizes, mm	583×170×175	500×190×240
Consumption power, W	≤ 60	≤ 50
Radiant power, W	≤ 7	8
Radiant exitance, mW/cm²	≤ 20	≤ 24